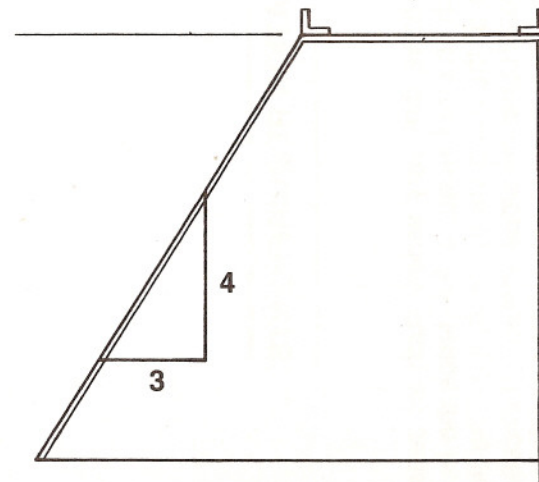
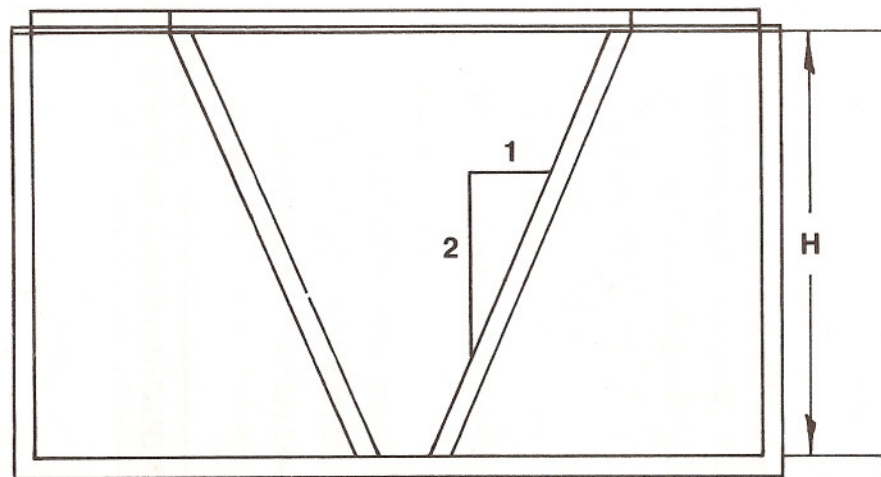


TABLE OF DIMENSIONS

FLUME TYPE	FLUME SIZE	MINIMUM FLOW	MINIMUM FLOW	MAXIMUM FLOW	MAXIMUM FLOW	RANGE	WIDTH	LENGTH	SPOUT
	H	CFS	MGD	CFS	MGD	X:1	W	L	T
	(Ft)						(Ft)	(Ft)	(Ft)
HS	.4	.00016	.0001	.0803	.0518	502	.42	.6	.020
HS	.6	.00023	.00014	.221	.1428	961	.63	.9	.030
H	.5	.0004	.0003	.331	.214	828	.95	.675	.050
H	.75	.0006	.0004	.957	.619	1595	1.425	1.0125	.075
H	1.0	.0007	.0005	1.92	1.24	2743	1.9	1.35	.100
H	1.5	.0011	.0007	5.33	3.44	4845	2.85	2.025	.150
H	2.0	.0014	.0009	10.98	7.1	7843	3.8	2.7	.200
H	2.5	.0018	.0011	19.2	12.41	10667	4.75	3.375	.250
H	3.0	.0021	.0013	30.4	19.65	14476	5.7	4.05	.300
H	4.5	.0031	.002	84	54.29	27097	8.55	6.075	.450
HL	4.0	.005	.0032	117	75.62	23400	12.8	6	.800



FRONT VIEW

END VIEW

SEE REVERSE FOR SPECIFICATIONS AND INSTALLATION REQUIREMENTS

**HE** HINDE ENGINEERING CO.  
OF CALIFORNIA, INC.  
P.O. BOX 737, AROMAS, CALIFORNIA 95004-0737

**H-FLUME**

DRWG. NO.  
**H-1001**